

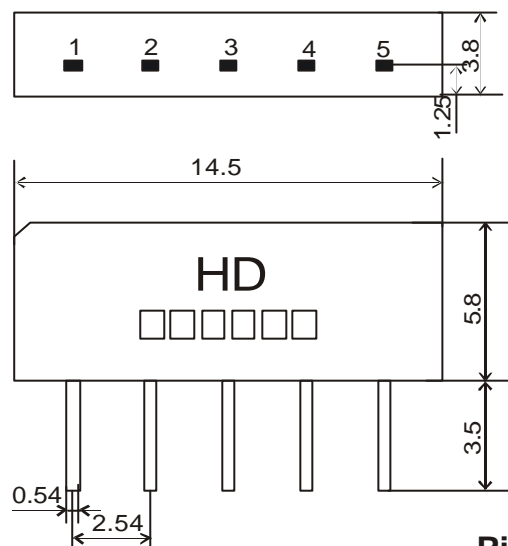
## 1. SCOPE

The SAW filter series have broad line up products meeting all broadcast standard including NTSC, PAL and SECAM systems. These filters are composed of two interdigital transducers on a single-crystal piezoelectrical chip. They are used in electronic equipments such as TV and so on.

## 2. Construction

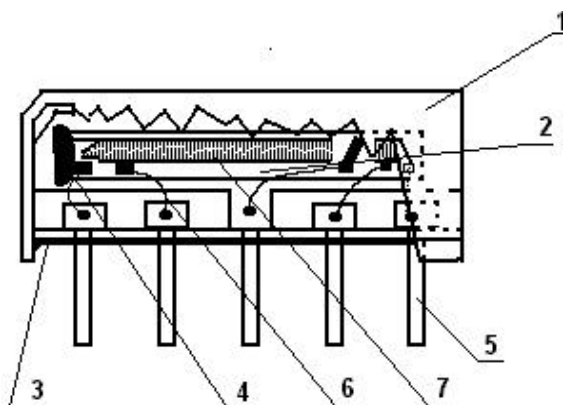
### 2.1 Dimension and materials

Type: BF43A2D



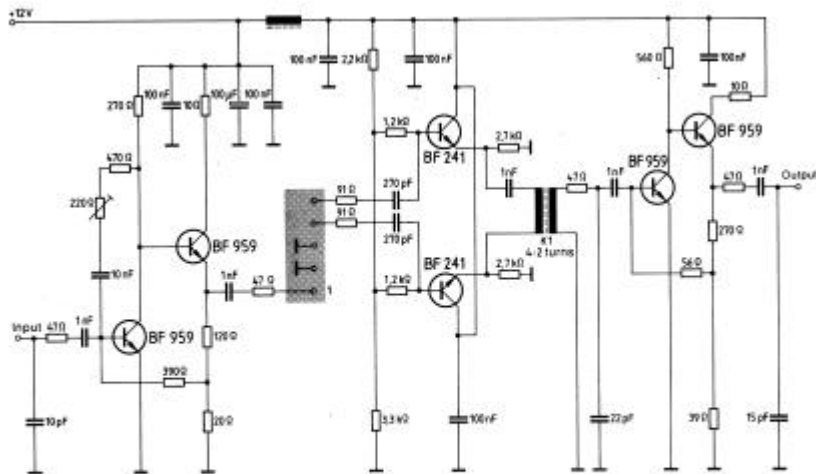
#### Pin configuration

- 1 Input
- 2 Input-ground
- 3 Chip carrier-ground
- 4 Output
- 5 Output



Components	Materials
1.Outer casing	PPS
2.Substrate	Lithium niobate
3.Base	Epoxy resin
4.Absorber	Epoxy resin
5.Lead	Cu alloy+Au plate
6.Bonding wire	AlSi alloy
7.Electrode	Al

## 2.2. Circuit construction, measurement circuit



Test circuit for SIP-5 filter  
Input impedance of the symmetrical post-amplifier: 2 k $\Omega$  in parallel with 3 pF

## 3.Characteristics

### Standard atmospheric conditions

Unless otherwise specified , the standard rang of atmospheric conditions for making measurements and tests is as follows;

- Ambient temperature : 15C to 35C
- Relative humidity : 25% to 85%
- Air pressure : 86kPa to 106kPa

### Operating temperature rang

Operating temperature rang is the rang of ambient temperatures in which the filter can be

operated continuously. -10C ~ +60C

### Storage temperature rang

Storage temperature rang is the rang of ambient temperatures at which the filter can be stored

without damage.

Conditions are as specified elsewhere in these specifications. -40C ~ +70C

Reference temperature +25C

### 3.1 Maximum Rating

DC voltage	VDC	12	V	Between any terminals
AC voltage	Vpp	10	V	Between any terminals

### 3.2 Electrical Characteristics

Source impedance

$Z_s=50$  ohm

Load impedance

$Z_L=2k$  ohm//3pF

$T_A=25C$

Item	Freq	min	typ	max	
Center frequency	Fo	-	43.75	-	MHz
Insertion attenuation Reference level	43.81MHz	12.8	14.8	16.8	dB
Pass bandwidth	B <sub>3dB</sub>	-	6.0	-	MHz
	B <sub>30dB</sub>	-	7.6	-	MHz
Relative attenuation	41.28MHz	-	0.3	-	dB
	46.34MHz	-1.3	0.2	1.7	dB
	40.81MHz	1.1	2.7	4.3	dB
	46.81MHz	1.1	2.7	4.3	dB
	39.81MHz	36.0	50.0	-	dB
	47.81MHz	35.0	48.0	-	dB
Sidelobe	35.06~39.06MHz	36.0	45.0		dB
	39.06~39.81MHz	34.0	42.0		dB
	47.81~50.06MHz	34.0	42.0		dB
	50.06~55.06MHz	36.0	46.0		dB
Temperature coefficient		-72			ppm/k

### 3.3 Environmental Performance Characteristics

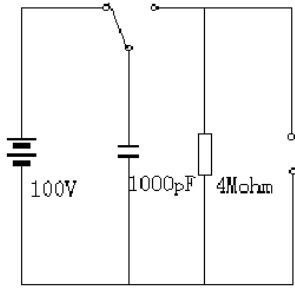
Item Test condition	Allowable change of absolute Level at center frequency(dB)
High temperature test 70C 1000H	< 1.0
Low temperature test -40C 1000H	< 1.0
Humidity test 40C 90-95% 1000H	< 1.0
Thermal shock -20C==25C==80C 20 cycle 30M 10M 30M	< 1.0
Solder temperature test Sold temp.260C for 10 sec.	< 1.0
Soldering Immerse the pins melt solder at 260C+5/-0C for 5 sec.	More then 95% of total area of the pins should be covered with solder

### 3.4 Mechanical Test

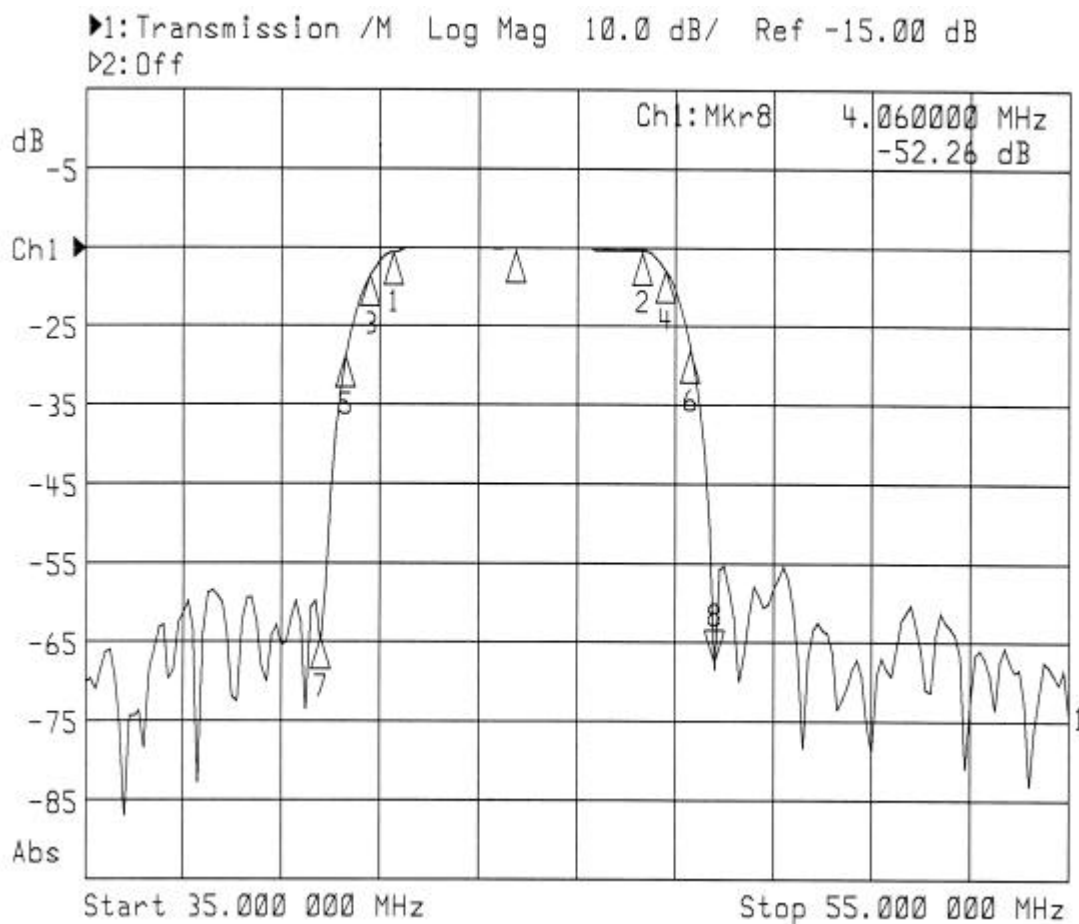
Item Test condition	Allowable change of absolute Level at center frequency(dB)
Vibration test 600-3300rpm amplitude 1.5mm 3 directions 2 H each	<1.0

Drop test On maple plate from 1 m high 3 times	<1.0
Lead pull test Pull with 1 kg force for 30 seconds	<1.0
Lead bend test 90° bending with 500g weigh 2 times	<1.0

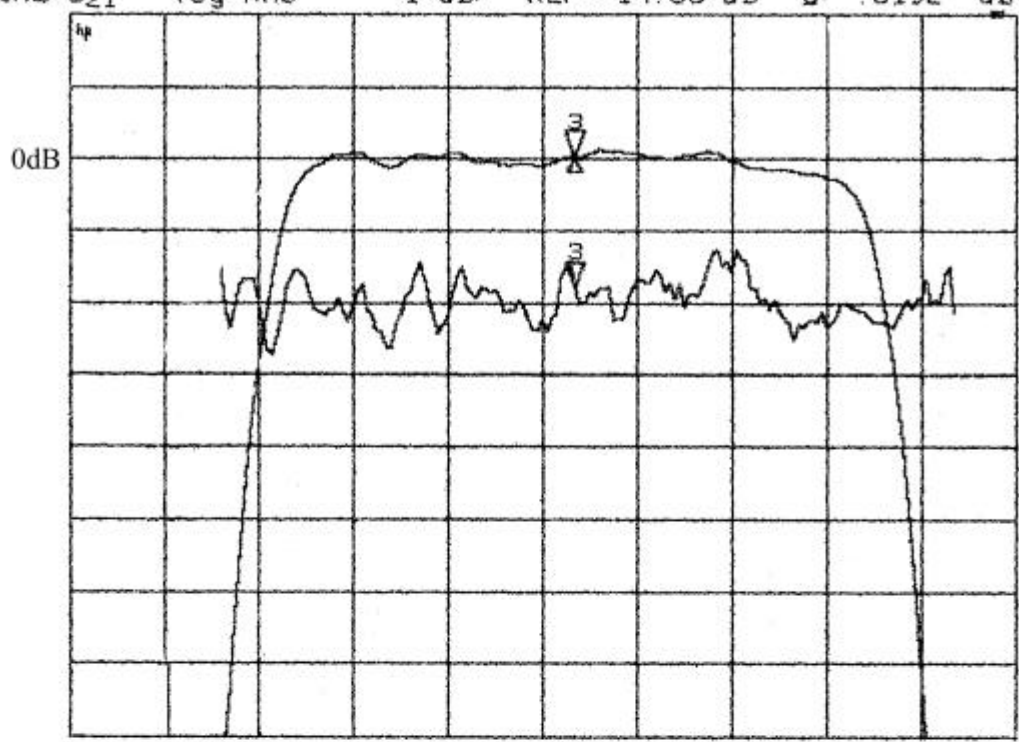
### 3.5 Voltage Discharge Test

Item Test condition	Allowable change of absolute Level at center frequency(dB)
Surge test Between any two electrode  	<1.0

### 3.6 Frequency response

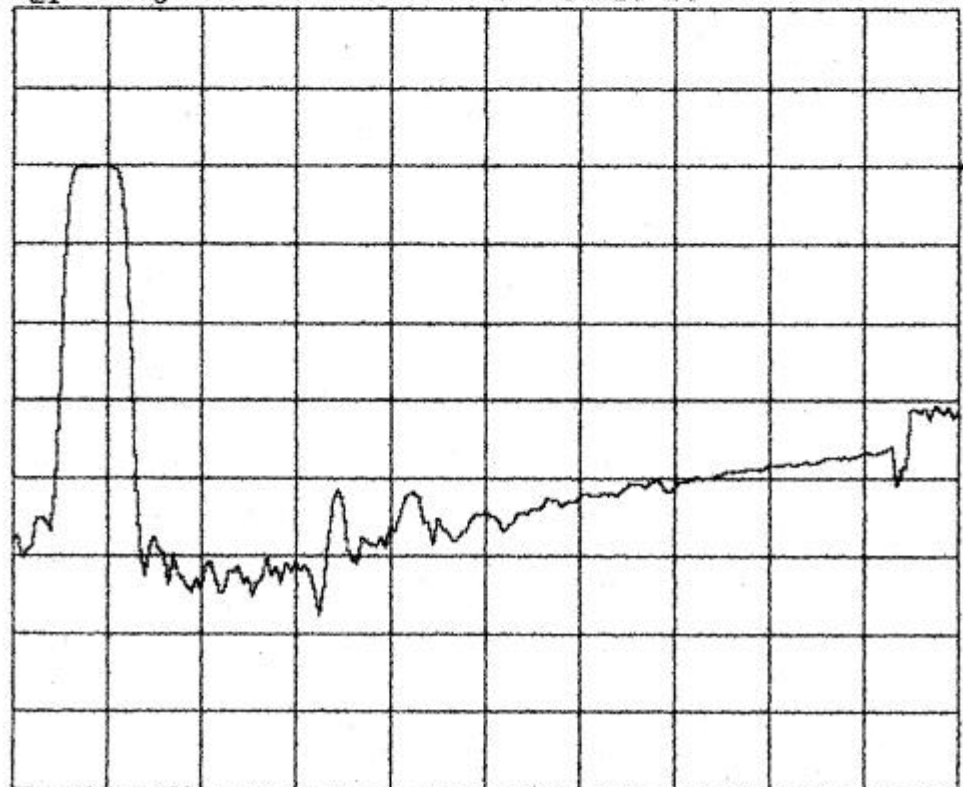


CH1 S21 delay 30 ns/ REF 1.183  $\mu$ s 3 1.2189  $\mu$ s  
CH2 S21 log MAG 1 dB/ REF -14.88 dB 3: .0192 dB



START<sup>1</sup> 39.000 000 MHz STOP 40.000 000 MHz

CH2 S21 log MAG 10 dB/ REF -16.23 dB



START 35.000 000 MHz STOP 135.000 000 MHz

---